



Specification Sheet

Cummins RV Generator Onan QG 2800i



Features and Benefits

- Computer-controlled variable speed operation matches engine speed to load demand, minimizing noise level and vibration.
- LP and EFI gasoline models
- No fuel return line necessary - EFI gasoline
- EVAP model for specialized applications
- High power quality with inverted electrical output for sensitive RV loads.
- J1939 communications capable
- Increased oil capacity, reduced oil consumption, low oil shutdown switch, high oil temperature sensor, allows for no required oil checks between recommended oil changes.
- Quietest generator sets of their size.
- Completely enclosed with muffler, quick and easy to install.
- 3-year limited warranty
- Low fuel consumption

Weight, Size and Sound Level

Weight	113 lbs	(51.3 kg)
Length	22.0 in	(560 mm)
Width	16.3 in	(415 mm)
Height	13.4 in	(340 mm)
Sound	65 dB(A)	Readings at 10 ft (3 m) half load

- Meets National Park Service sound level requirements (60 dB(A) @ 50 ft) for use in national parks.
- Typical installation will further reduce sound level.

Models and Ratings

Model	Fuel	Hz	RPM	Watts	Voltage	Amps	Phase	Circuit breaker
2.8HGLAA-8302A	Gasoline	60	2445-2900	2800	120	23.3	1	30A
2.8HGLAA-8303A*	Gasoline	60	2445-2900	2800	120	23.3	1	30A
2.5HGLAA-8304A	LP	60	2445-2900	2500	120	20.8	1	30A

- Ambient conditions for rated power output with muffler and RV enclosure, per ISO 8528-1:
- Temperature: 77° F (25° C)
- Altitude: 500 ft (152.4 m), (99 kPa dry)
- Typical power output change based on ambient conditions:
- Temperature: Power output decreases 1% for every 10° F (5.5° C) increase
- Altitude: Power output decreases 3.5% for every 1000 ft (305 m) increase

* All model year 2011 and later spark-ignited small off-road engines rated at equal to or less than 19 kilowatts, and equipment utilizing such engines must meet the evaporative emission requirements as specified in Title 13, California Code of Regulations, Chapter 15, Article 1, 40 CFR Part 1054 §1054.112, and 40 CFR Part 1060.

Operating Temperature Range

	Low	High
Gasoline	-20° F (-29° C)	120° F (49° C)
LP	0° F (-18° C)	120° F (49° C)

- Ambient air temperature measurement.
- Depends upon LP tank capacity, surface area and butane content of LPG.

Standard Features

- Cummins sound-attenuating enclosure
- Computer overload control to prevent nuisance circuit breaker tripping
- Focalized mounting system with vibration isolators
- Integrated control/inverter/ECM
- Permanent Magnet Alternator (PMA)
- Cross-flow cooling
- Sheet steel drip controlling base
- Enclosed aluminized steel catalytic muffler with vibration attenuating flex tube
- Integral USDA Forest Service approved centrifugal maintenance free spark arrestor muffler
- Single-side service
- Oil temperature and level shutdown
- Control temperature monitoring & shutdown
- Fuel transfer pump and internal high-pressure pump module (Returnless EFI gasoline); electric solenoid (LP)
- Integrated start/stop switch
- Sealed remote start connector
- Electric start
- Magnetic circuit breaker
- 100 in (2.5 m) generator set output leads 12 AWG
- Electronically controlled ignition
- Standard onboard diagnostic capability
- J1939 communication capability

Engine Details

Design: 4-cycle, single cylinder, OHV

Displacement: 15.4 in³ (252 cm³)

Compression Ratio: 8.8:1

Power: 7.1 bhp (max) at 3600 r/min

Cooling: Pressurized air

Cooling Air Volume: 120 ft³/m (3.40 m³/min) at full load

Fuel System: (Gasoline) Electric fuel transfer pump, max fuel lift 3 ft (914 mm), internal high-pressure injection pump module; (LP) electric fuel solenoid

Combustion Air:

7.2 ft³/m (0.20 m³/min) at 2900 r/min

Ignition System: Electronically controlled

Starting System: Remote, 12 V, 3-wire negative ground; start-stop rocker switch on control; connector for remote start harness

Lubrication: Splash lubrication

Oil Capacity: 1 qt (1.0 L)

Cylinder Crankcase: Aluminum alloy

Crankcase Cover: Aluminum alloy

Cylinder Head: Aluminum alloy, removable

Average Fuel Consumption

Gasoline	No load	Half load	Full load
2.8HGLAA	0.14 Gal/h (0.53 L/h)	0.21 Gal/h (0.79 L/h)	0.46 Gal/h (1.74 L/h)
LPG	No load	Half load	Full load
2.5HGLAA	0.18 Gal/h (0.77 lb/h) 0.35 kg/h	0.31 Gal/h (1.30 lb/h) 0.59 kg/h	0.55 Gal/h (2.31 lb/h) 1.05 kg/h

Alternator Details

Design: Cummins, permanent magnet

Insulation System and Temperature Rise: Class F insulation system meets ANSI/RVIA EGS-1 standard and CSA TIL RV-06 temperature requirements

Bearings: None

DC Brushes: None

Exciter system: None

Generator Set Performance

Air Conditioner Operation:

2.8kW generator set will start and run one 13500 Btu high efficiency air conditioner (15.5 Amps or less) plus 600-Watt base load with an additional 300 Watts of power available. 2.5kW generator set will start and run one 13500 Btu high efficiency air conditioner (15.5 Amps or less) plus a 600-Watt base load.

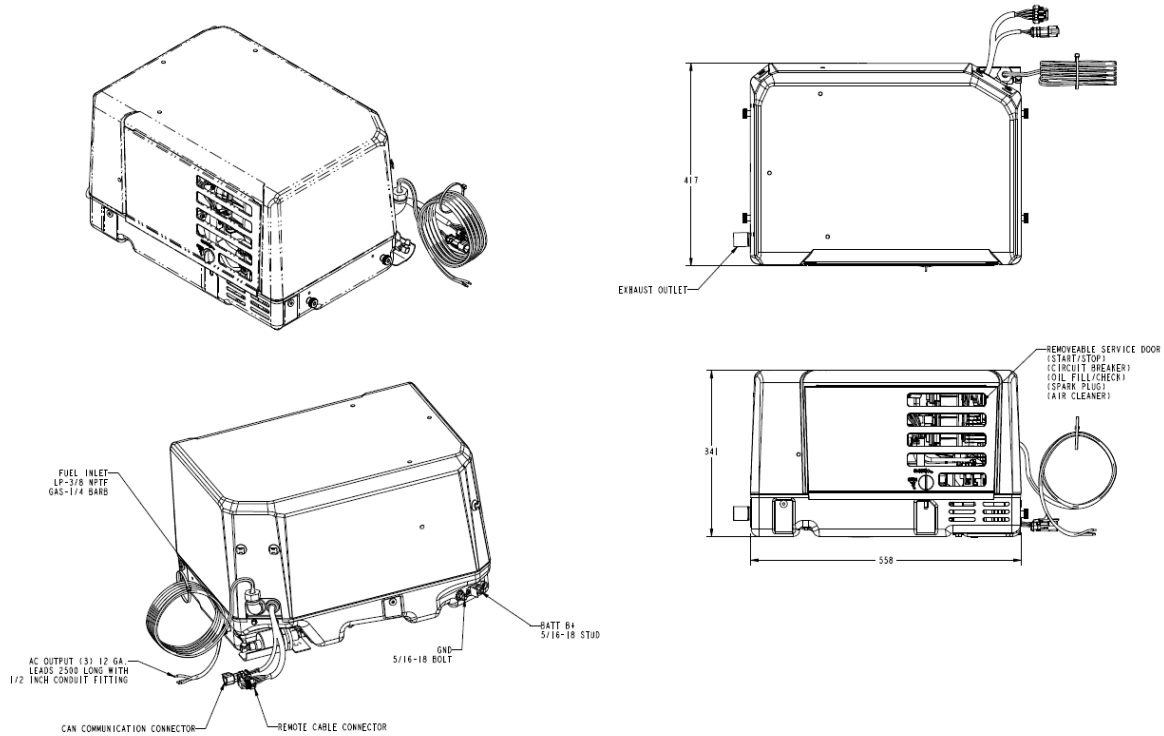
Voltage Regulation: Exceeds requirements of ANSI/RVIA EGS-1 ±10%

Frequency Regulation: Exceeds requirements of ANSI/RVIA EGS-1 ± 5%

Note: See your Cummins distributor or authorized Cummins service dealer for a listing of approved air conditioners

Basic Dimensions

Dimensions mm



Note: This outline drawing is provided for general reference only and is not intended for design or installation. For more information see operation and installation manuals or obtain DSA060X146 drawing from your distributor/dealer.

Accessories

- Under floor mounting kit (P/N A042W103)
- Retro adapter from KV (P/N A043F935)
- Remote start/stop rocker switch (P/N 300-5331)
- Remote control with start/stop switch and running time meter (P/N 300-5332)
- Remote control with start/stop switch and DC voltmeter (P/N 300-5333)
- Remote control plug and wire harness 10 ft (P/N 338-3489-01), 30 ft (P/N 338-3489-02)
- Energy Command 30 auto generator start (P/N 018-02030)
- Energy Command Y harness (P/N 044-00087)

*Additional accessories are listed in the Onan Generator Accessories Catalog (F-0832E)

Testing for RV Application

- Tested at extremes of temperature -20 °F (-29 °C) to 120 °F (49 °C) for starting and operation
- Tested with RV loads
- Tested installed; Cummins owned RVs used for product development testing
- Tested in high humidity conditions
- Tested in salt spray conditions
- Tested in heavy airborne dust conditions
- Field test program
- Listed by SGS United States Testing Company, Inc. per ANSI/RVIA EGS-1 and CSA-certified per Std. 100 Motors and Generators and TIL RV-06.
- This generator set was designed and manufactured in facilities certified to ISO 9001
- Meet applicable U.S. EPA and California emissions standards



Warranty Policy

The limited warranty covers any failures of the product resulting from a defect in material or factory workmanship under normal use and service for 3 years from warranty start date or 2,000 hours, whichever occurs first. During the first two years, parts and labor will be covered for all warrantable failures except routine maintenance. During the third year, parts and labor will be covered for major powertrain and generator components. This 3-year, 2000-hour warranty coverage applies to RV generator sets used in RV application. For RV generators used in non-RV application, warranty coverage duration is 1 year from warranty start date or 1,000 hours, whichever occurs first.

After Sale Support

Complete Line of Parts and Accessories:

Cummins Inc. offers replacement and tune-up parts, accessories, oil and maintenance chemicals - all specially designed to help keep your Onan generator set running at peak performance. Cummins Inc. also provides genuine Green Label Parts™ that exactly match generator set specifications and will help maximize power output and extend the life of your generator set.



Largest Distributor/Dealer Support

Network: Onan generator sets are supported by the largest and best trained worldwide authorized distributor/dealer network in the industry. This network of knowledgeable Cummins distributor/dealers will help you select and install the right generator set and accessories to meet the requirements of your specific application. This same network offers a complete selection of commonly used generator set maintenance parts, accessories and products plus manuals and specification sheets. They can answer your questions regarding proper operation, maintenance schedules and more.

Manuals: Quick start guides ship with the generator set. To obtain additional copies or other manuals for this model, see your Cummins sales or service representatives and request the following manual numbers: Quick Start (EN-A062P264, SP-A062Z027, FR-A062Z025) Operator (A062Y985), Installation (A062Y984), Parts (A062Y987), Service (A063Y986). To easily locate the nearest Cummins distributor/dealer in your area, or for more information, contact us at 1-800-CUMMINS, or www.power.cummins.com

!	WARNING:
<p>Do not use this generator set on a boat. Such use may violate U.S. Coast Guard regulations, and can result in severe personal injury or death from fire, explosion, electrocution, or carbon monoxide poisoning.</p>	

!	WARNING:
<p>Back feed to a utility system can cause electrocution and/or property damage. Do not connect to any building electrical except through an approved device or after building main breaker is open.</p>	

Contact your distributor/dealer for more information.



Cummins Inc.
Box 3005
Columbus, IN 47202-3005
U.S.A
1-800-CUMMINS™ (1-800-286-6467)
cummins.com

©2020 Cummins Inc. All rights reserved.
Specifications are subject to change without notice. S-6505 (03/20)